

EN 593 PN10/PN16/CLASS 125/ DOUBLE SHAFT BUTTERFLY VALVE



Fig No. :BFV305/BFV306

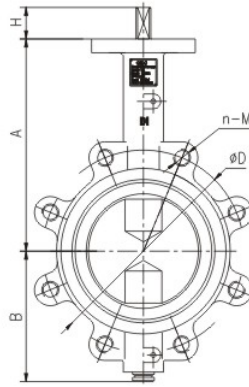


FIG. 4306

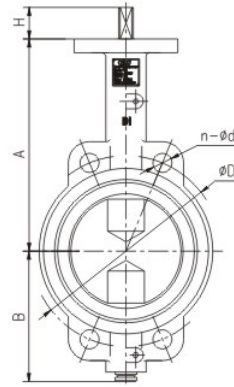
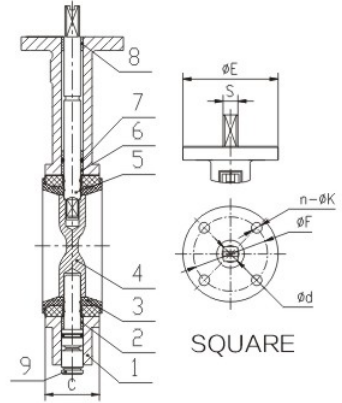


FIG. 4305



TECHNICAL REQUIREMENT :

- Design and Manufacture Conform to EN593, API609
- Flange dimensions Conform to EN1092-2/ANSI B16.1
- Face to Face dimensions Conform to EN558-1
- Testing Conform to EN12266-1, API 598
- Driving mode: lever, worm actuator, electric, pneumatic

MATERIALS OF PARTS

NO.	PART NAME	MATERIAL	OPTIONAL MATERIAL
1	BODY	DI	CI, WCB, STAINLESS STEEL
2	DOWN BEARING	F4	BRONZE
3	SEAT	NBR	EPDM, FKM
4	DISC	PLATED DUCTILE IRON	ASTM A351 CF8/CF8M, B148 C954/C958
5	UPPER SHAFT	ASTM A276 416	304, 316, 17-4PH
6	MIDDLE BEARING	F4	BRONZE
7	O RING	NBR	EPDM, FKM
8	UPPER BEARING	F4	BRONZE
9	DOWN SHAFT	ASTM A276 416	304, 316, 17-4PH
10	RETAINING PIN	ASTM A276 416	316

DIMENSIONS DATA (MM)

DN	A	B	C	H	ΦF	ΦD	4-ΦN	Φd	M1	EN1092-2 PN10			EN1092-2 PN16			ANSI CLASS 125		
										ΦK	n-ΦK1	n-M	ΦK	n-ΦK1	n-M	ΦK	n-ΦK1	n-M
DN40	120 (140)	75	33	32	90	50	4-Φ7	12.6	9.5	110	4-Φ19	4-M16	110	4-Φ19	4-M16	98.5	4-Φ16	4-1/2"
DN50	124 (161)	80	43	32	90	50	4-Φ7	12.6	9.5	125	4-Φ19	4-M16	125	4-Φ19	4-M16	120.5	4-Φ19	4-5/8"
DN65	134 (175)	89	46	32	90	50	4-Φ7	12.6	9.5	145	4-Φ19	4-M16	145	4-Φ19	4-M16	139.5	4-Φ19	4-5/8"
DN80	141 (181)	95	46	32	90	50	4-Φ7	12.6	9.5	160	8-Φ19	8-M16	160	8-Φ19	8-M16	152.5	4-Φ19	4-5/8"
DN100	156 (200)	114	52	32	90	70	4-Φ10	15.8	11.1	180	8-Φ19	8-M16	180	8-Φ19	8-M16	190.5	8-Φ19	8-5/8"
DN125	168 (213)	127	56	32	90	70	4-Φ10	18.92	12.7	210	8-Φ19	8-M16	210	8-Φ19	8-M16	216	8-Φ22	8-3/4"
DN150	184 (226)	140	56	32	90	70	4-Φ10	18.92	12.7	240	8-Φ23	8-M20	240	8-Φ23	8-M20	241.5	8-Φ22	8-3/4"
DN200	213 (260)	175	60	45	125	102	4-Φ12	22.1	15.9	295	8-Φ23	8-M20	295	12-Φ23	12-M20	298.5	8-Φ22	8-3/4"
DN250	244 (292)	220	68	45	125	102	4-Φ12	28.45	22	350	12-Φ23	12-M20	355	12-Φ28	12-M24	362	12-Φ25	12-7/8"
DN300	283 (337)	255	78	45	150	125	4-Φ14	31.6	24	400	12-Φ23	12-M20	410	12-Φ28	12-M24	432	12-Φ25	12-7/8"