

BS 7350 PN16 CAST IRON BALANCING VALVE

TECHNICAL REQUIREMENT :

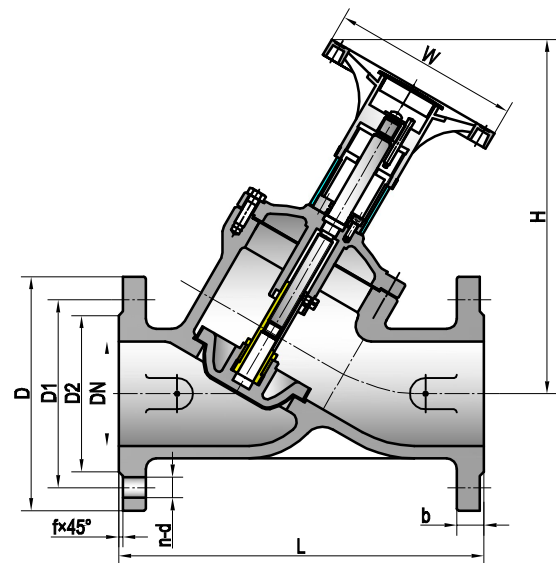
- Design and Manufacture Conform to BS7350
- Flange dimensions Conform to EN1092-2 PN 16
- Face to Face dimensions Conform to EN558-1 List 1
- Testing Conform to EN12266-1
- CI-GREY CAST IRON , DI-DUCTILE IRON



MATERIALS OF PARTS

NO.	PART NAME	MATERIAL
1	BODY	EN-GJL-250/EN-GJS-450-10
2	DISC	EN-GJL-250+EPDM
3	STEM NUT	ZCUZN25AL6FE3MN3
4	STEM	2CR13
5	BONNET	EN-GJL-250/EN-GJS-450-10
6	GLAND FLANGE	2CR13
7	LINK COVER	BLACK PLASTIC ABS
8	DIRECTION COVER	WHITE PLASTIC ABS+A3
9	HANDWHEEL	ALUMINIUM DIE CASTING
10	LOCATING SCREW	CARBON STEEL
11	SCALE RING	BLACK PLASTIC
12	WASHER	EPDM

Fig No. :BAV401-PN16



DIMENSIONS DATA (MM)

DN	50	65	80	100	125	150	200	250	300	
L	230	290	310	350	400	480	600	730	850	
D	CI	165	185	200	220	250	285	340	405	
	DI								400	455
D1	125	145	160	180	210	240	295	355	410	
D2	99	118	132	156	184	211	266	319	370	
b	CI	20	20	22	24	26	26	30	32	32
	DI	19	19	19	19	19	19	20	22	24.5
f	3	3	3	3	3	3	3	3	4	
n-d	4-19	4-19	8-19	8-19	8-19	8-23	12-23	12-28	12-28	
H	276	308	320	340	375	410	550	590	678	
W	180	180	180	180	180	180	350	350	450	